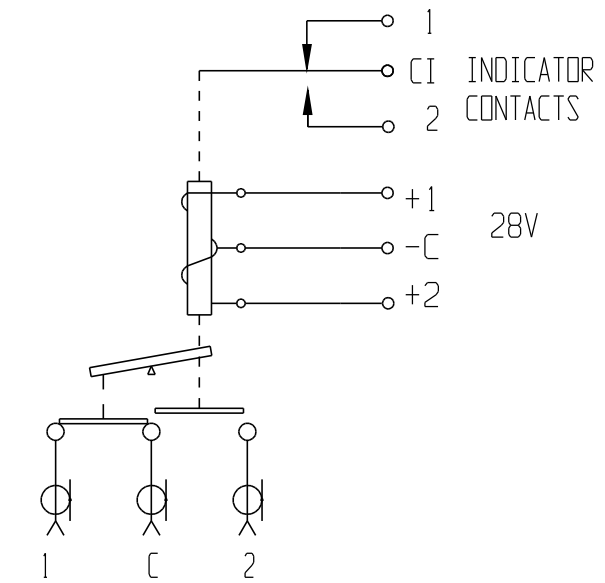
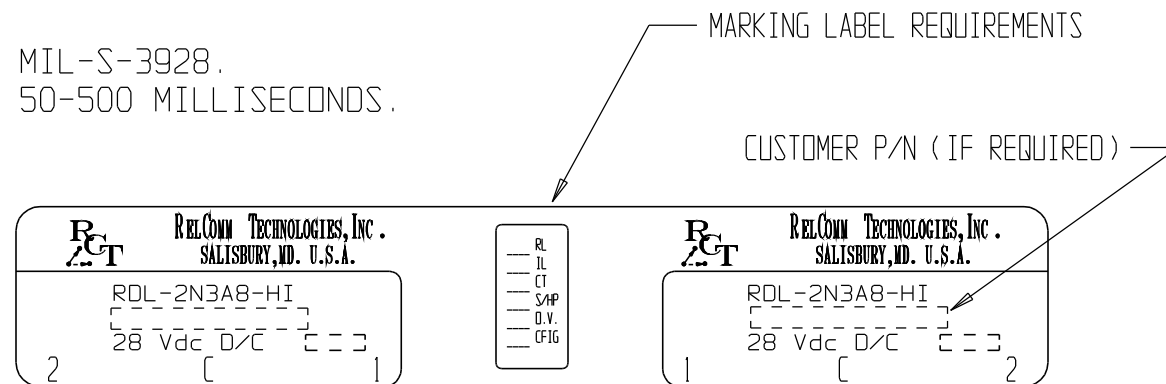


NOTES:

1. INTERPRET CALLOUTS/SYMBOLS PER ASME Y14.5M-1994.
2. METRIC (MILLIMETER) EQUIVALENTS ARE IN PARENTHESIS.
3. VERIFICATION OF CHARACTERISTICS ARE IN REFERENCE WITH MIL-S-3928.
4. RECOMMENDED PULSE WIDTH DURATION FOR SWITCHING RELAY, 50-500 MILLISECONDS.



SCHEMATIC SHOWN IN POSITION 1 (+1 LAST ENERGIZED)

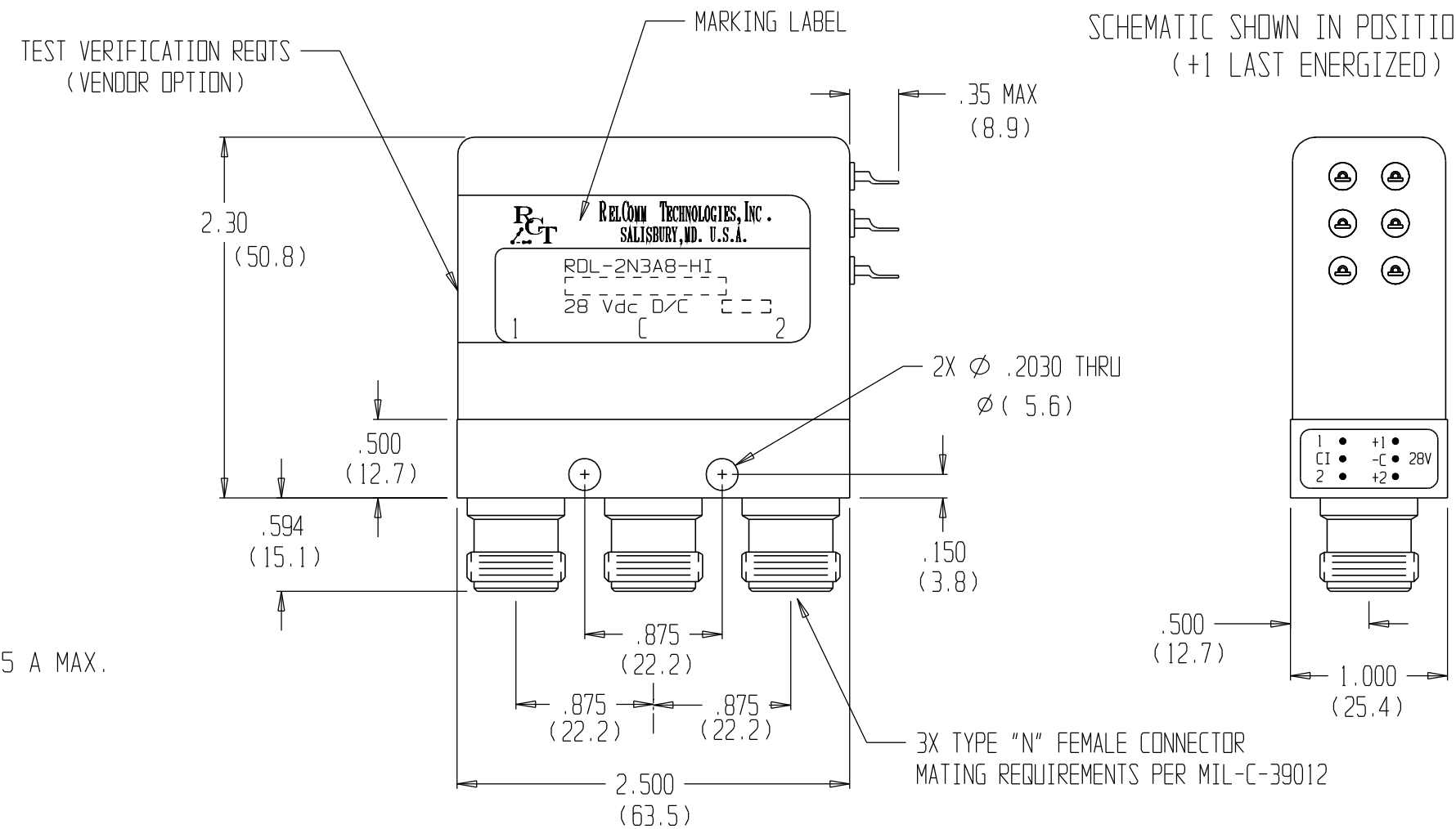
CHARACTERISTICS:

| | | | |
|------------------------------|--------|--------|--------|
| NOMINAL IMPEDANCE (OHM) | 50 | | |
| FREQUENCY RANGE (GHz) | DC-2 | 2-4 | 4-8 |
| V.S.W.R. (MAX) | 1.20:1 | 1.35:1 | 1.45:1 |
| INSERTION LOSS (dB MAX) | 0.20 | 0.35 | 0.40 |
| ISOLATION (dB MIN) | 80 | 70 | 60 |
| RF POWER THRU (WATTS CW) | 375 | 275 | 200 |
| HOT SWITCH RATING (WATTS CW) | 100 | 80 | 60 |

| | |
|--------------------------------|--|
| TEMPERATURE RANGE (OPERATING) | -30°C - +70°C |
| TEMPERATURE RANGE (STORAGE) | -55°C - +100°C |
| SWITCHING ACTION (LATCHING) | MAKE BEFORE BREAK |
| OPERATING VOLTAGE (OVER TEMP) | 24 - 32 Vdc |
| SWITCHING VOLTAGE (MAX @ 25°C) | 20 Vdc |
| ACTUATING CURRENT (mA MAX) | 127 @ 28 Vdc & 25°C |
| SWITCHING TIME (MAX) | 20mSEC |
| LIFE (COLD SWITCHING) | 300,000 CYCLES PER POSITION |
| HOT SWITCHING CYCLE LIFE | 100,000 PER POSITION |
| INDICATOR RATING | 5 WATTS TYP., 175 Vdc MAX., .25 A MAX. |
| WEIGHT (OZ) | 8.0 NOM |

MATERIALS/FINISH:

| | |
|------------|---------------------------|
| HOUSING | ALUMINUM/NICKEL |
| COVER | ALUMINUM/BLACK ANODIZED |
| CONNECTORS | STAINLESS STEEL/PASSIVATE |
| INSULATION | TEFLON |
| CONTACTS | BERYLLIUM COPPER/GOLD |
| TERMINALS | Ni-Fe/Sn-70 SOLDER |



| REV | ECN NO. | DATE | APPROVAL |
|-----|---------|------|----------|
| | | | |
| | | | |
| | | | |
| | | | |
| | | | |

UNLESS OTHERWISE SPECIFIED:
 DIMENSIONS ARE IN INCHES AND INCLUDE PLATING.
 TOLERANCES
 .XX ± .02 FRACTIONS ±
 .XXX ± .010 SURFACE QUALITY
 .XXXX ± .0050 63/ MAX
 THIRD ANGLE PROJECTION

DR B. JONES 07/30/03
 CK M. MAGDA
 ENG B. JONES
 MFG
 QA
 THIS DRAWING AND SPECIFICATIONS ARE THE PROPERTY OF RELCOMM TECHNOLOGIES AND SHALL NOT BE REPRODUCED OR COPIED OR USED IN WHOLE OR IN PART AS THE BASIS FOR THE MANUFACTURE OR SALE OF ITEM(S) WITHOUT WRITTEN PERMISSION.

| | | |
|---|----------------------|--|
| EXCELLENCE BY DESIGN | | RELCOMM TECHNOLOGIES, INC. 610 BEAM STREET SALISBURY, MARYLAND 21801 |
| TITLE COAXIAL RELAY 1P2T "PULSE LATCH" W/ INDICATORS | | |
| SIZE B | DWG NO. RDL-2N3A8-HI | REV - |
| SCALE 1:1 | DO NOT SCALE DWG | SHEET 1 OF 1 |